

Manufactured in a range of capacities from 2 tonnes to 200 tonnes utilising high strength, low weight Duralloy, with grey chromic anodised finish. The links accept standard alloy steel shackles (U.S. Federal Specification RR-C-271D e.g. Crosby, Green Pin). High quality 'Micromasurements' strain gauges are used throughout the range; resin bonded and sealed to the inner faces under controlled laboratory conditions. The high-density nylon cover plates facilitate protection against water and dust ingress to IP65.

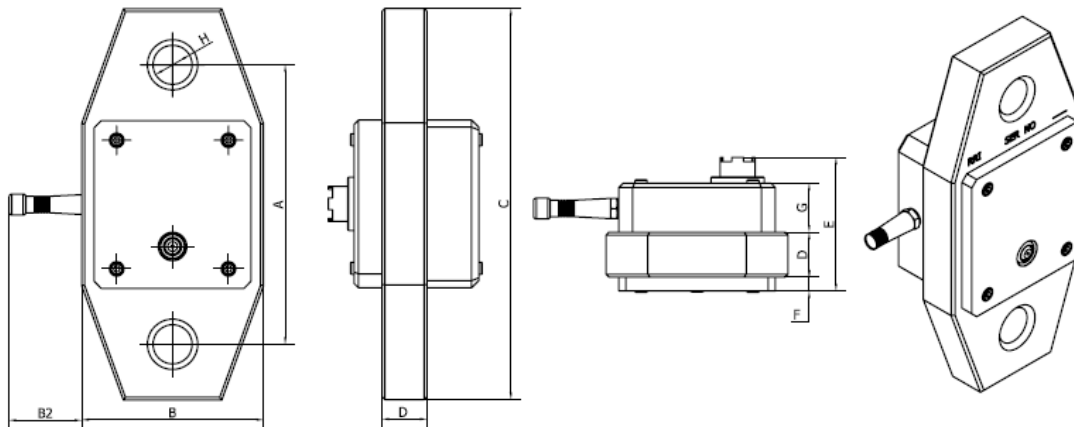
Standard Features:

- Microprocessor based digital electronics.
- 11mm liquid crystal display
- Self-diagnostic (diagnoses faults at 'switch on' and classifies fault with error code).
- Non-corruptible single point calibration.
- Powered by Nickel Metal Hydride battery
- Up to 16 hours continuous use between charges
- Mains battery charger with plug
- Robust, nylon reinforced charge plug and socket
- Robust carry case
- 18mm 6 digit LCD display with backlight

Functions:

- On/Off
- Tare
- Pushbutton Zero
- Low Battery Indicator
- Weight Cancel
- Restricted Access for Programming
- Loss of Communications indicator
- Peak Hold (optional)
- Time & Date (optional)
- Printer Output (optional)
- Mains Supplied LED Mounted Display (optional)

Technical Specification			
Capacity	5t	10T	25T
Hole Diameters (mm)	28	40	54
Shackle Capacity	6.5T	13.5T	25T
Resolution	1 kg	2 kg	10kg
Accuracy % FSD	0.5%	0.5%	0.5%
Ingress Protection	IP65		
Temp Range	-10°C to +40°C		
Weight	8kg	8kg	14kg



Model	A	B	B2	C	D	E	F	G	HØ
SWLT5	200	130	~52	280	32	71	10	10	28
SWLT10	230	145	~52	330	48	87	10	10	40
SWLT25	250	152	~52	370	70	109	10	10	54

All measurements are in mm

For quotation purposes only. Not drawn to scale. This drawing may not include all options offered on the quotation